

Exploded Model

Drawn by: D. Merritt
Last Modified: 20120317

Note:

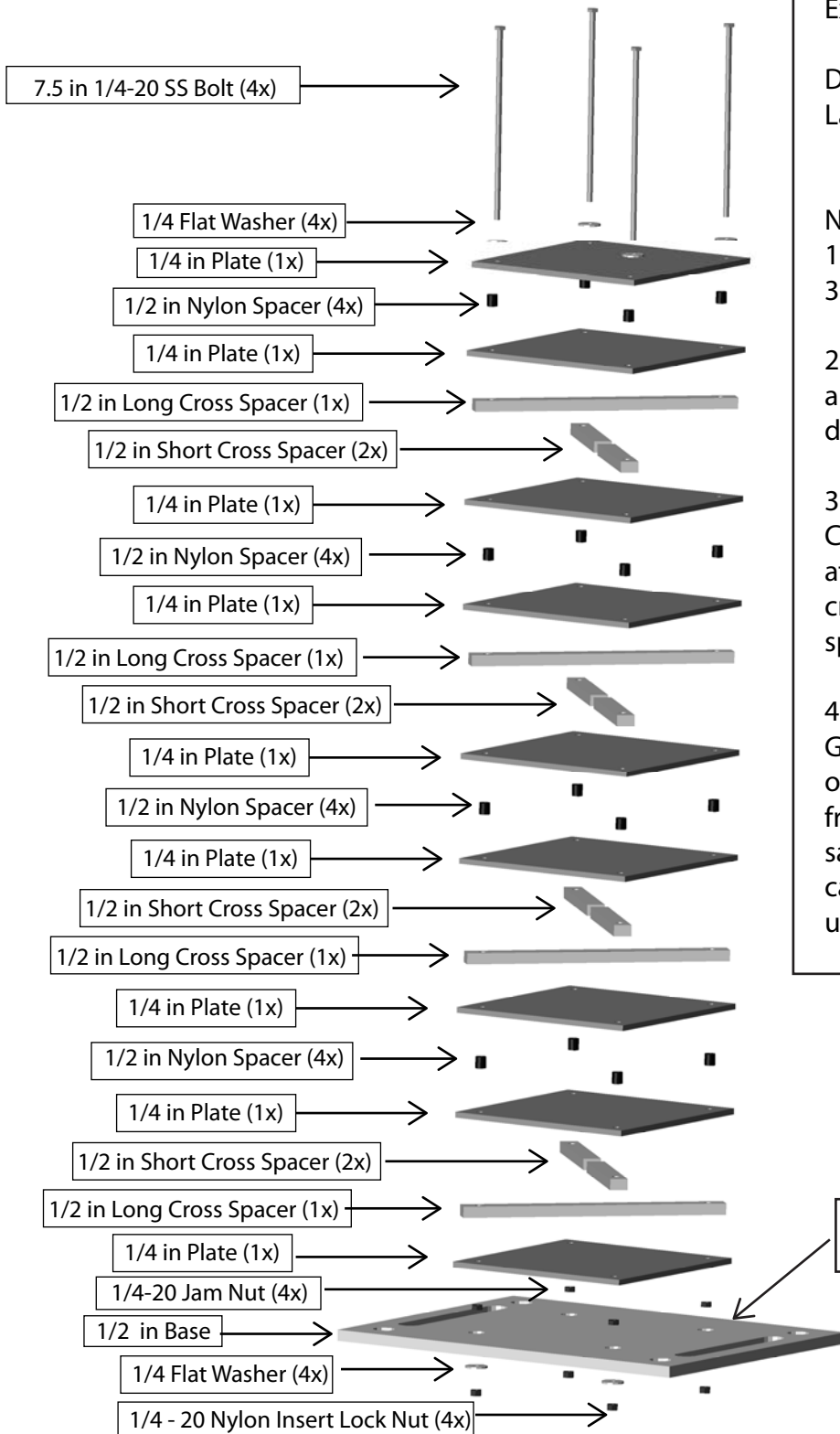
1. All Bolts, Nuts, and Washers
316 or 18-8 Stainless Steel

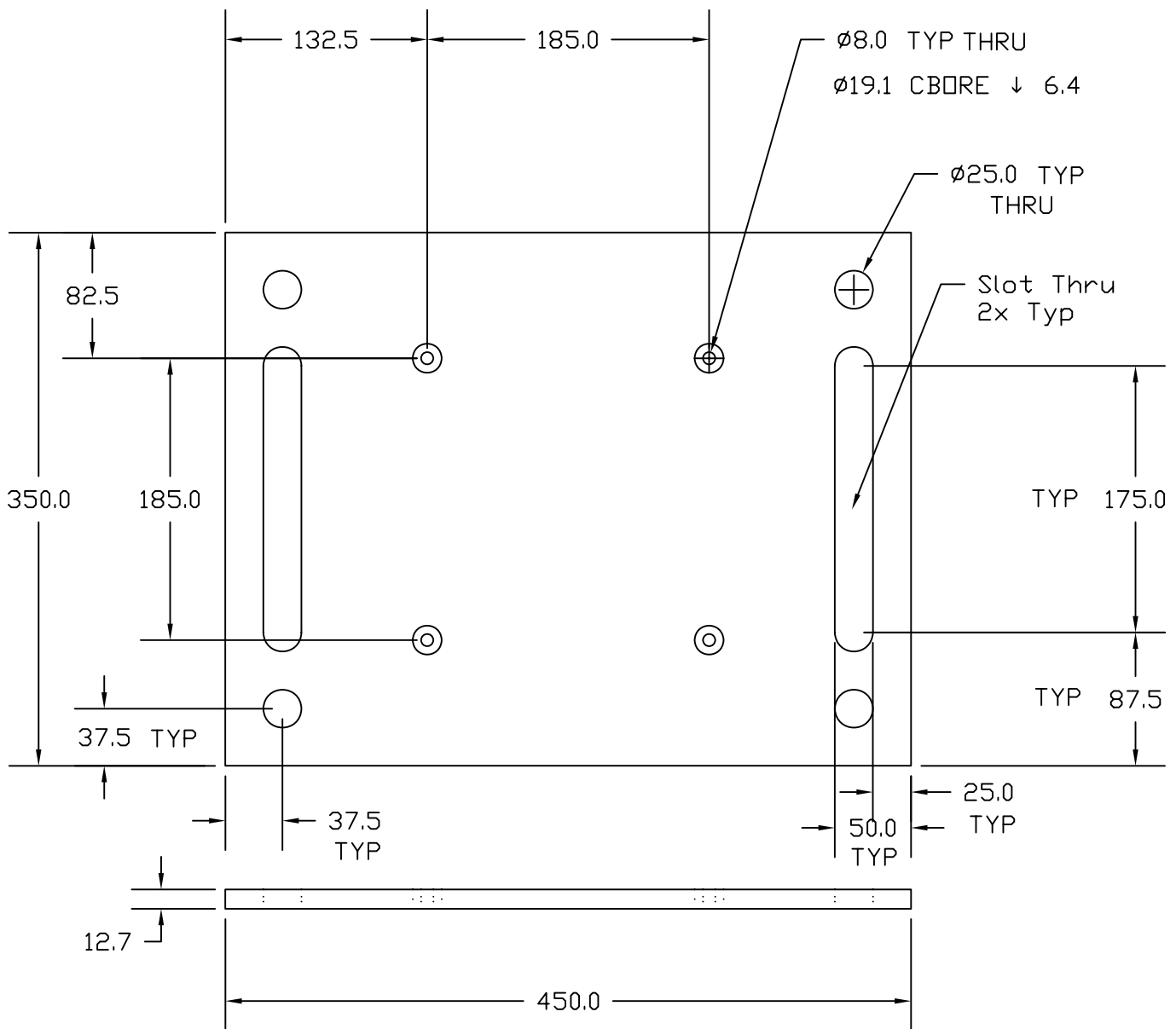
2. Plates, Base, Long Cross Spacer
and Short Cross Spacer as per layout
drawings. Nylon Spacers as per parts list.

3. Short Cross Spacers and Long
Cross Spacers Place no same layer
at 90 degrees to one another
creating 4 equal sized triangular
spaces

4. Aqualube/Aquashield or Silcone
Grease should be added to the threads
of the bolts in order to keep the nuts from
freezing to bolts while deployed in
salt water. FAILURE TO DO THIS may
cause major difficulty when taking ARMS
unit apart for analysis

Note: Base Counterbore on top
side





NOTES:

1. 8.0 Holes Can Be Drilled With $\frac{5}{16}$ Inch Bit
2. 25.0 Holes and Slots Can Be Drilled/Milled With 1.0 inch Bit/End Mill
3. Base material is 0.5 inch (12.7mm) thick pvc
4. 19.1 Counterbore Can Be Drilled/Milled With $\frac{3}{4}$ Inch Bit to Depth $\frac{1}{4}$ Inch

NOAA Fisheries - PIFSC

2570 Dole St., Honolulu, HI 96822
phone: 808-983-5360

CoML ARMS

Title: BASE

MAT: Grey PVC Type I

QTY: 1

Drawn By:
D. Merritt

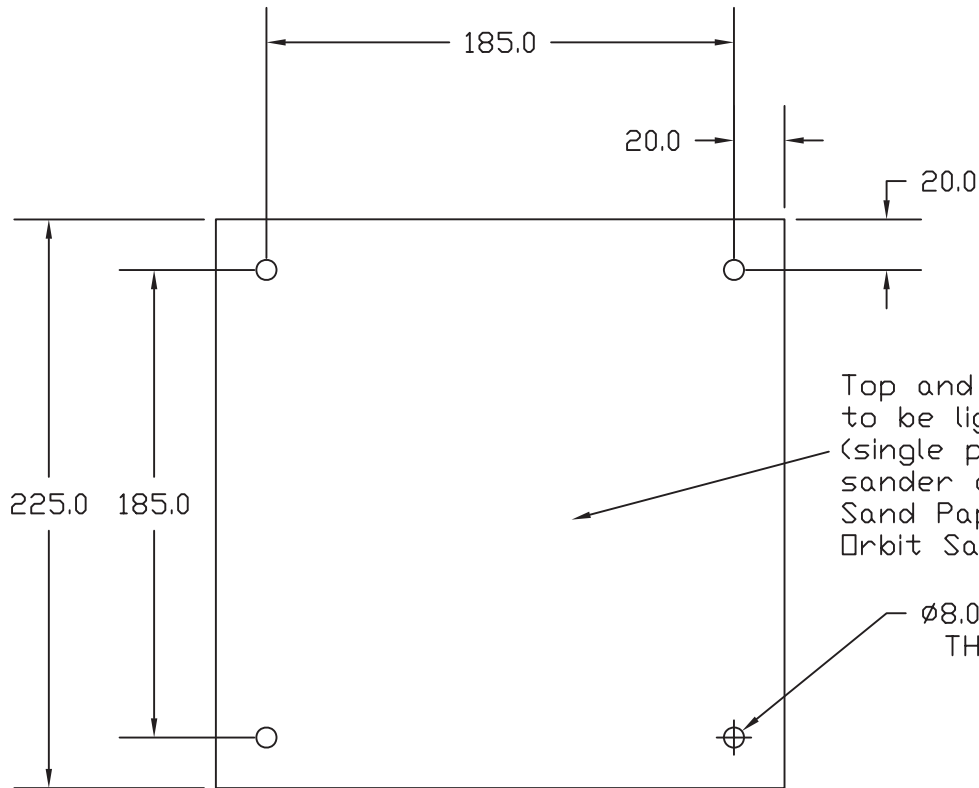
Sheet No:
1 of 4

Date
Modified:
20090316

Revision:
B

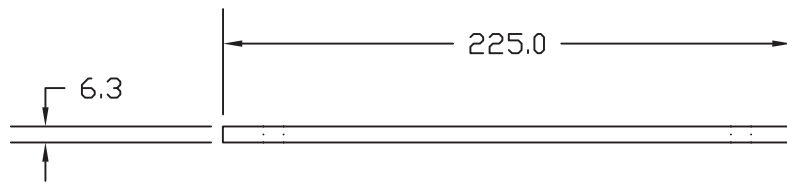
MILIMETERS

Unless Noted: Tolerance
X.X +/- 1.0



Top and Bottom Surfaces to be lightly roughened (single pass, weight of sander only) with 220 Grit Sand Paper using Random Orbit Sander.

Ø8.0 TYP THRU



NOAA Fisheries - PIFSC
2570 Dole St., Honolulu, HI 96822
phone: 808-983-5360

CoML ARMS

Title: Plate

MAT: Grey PVC Type I

QTY: 9

Drawn By:
D. Merritt

Sheet No:
2 of 4

Date
Modified:
20090316

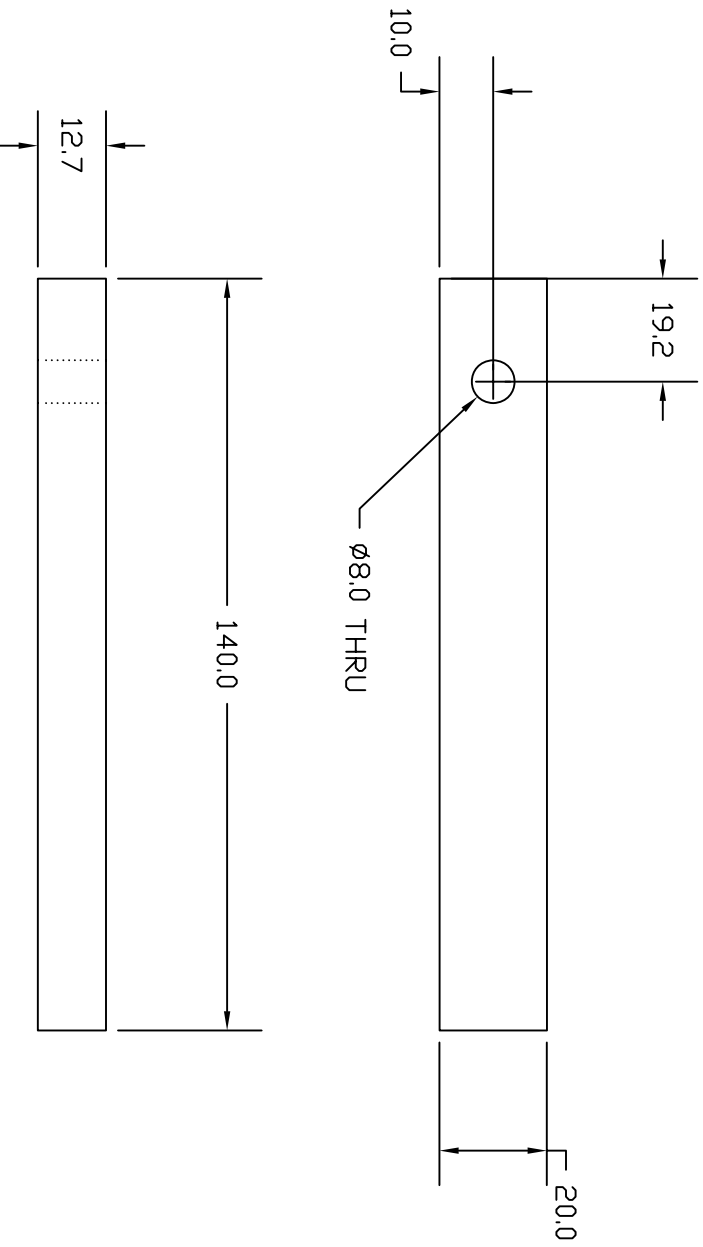
Revision:
B

NOTES:

- 8.0 Holes Can Be Drilled With $\frac{5}{16}$ Inch Bit
- Base material is 0.25 inch (6.35mm) thick pvc

MILIMETERS

Unless Noted: Tolerance
X.X +/- 1.0



NOAA Fisheries - PIFSC
 2570 Dole St., Honolulu, HI 96822
 phone: 808-983-5360

COML ARMS

Title: Short Cross Spacer

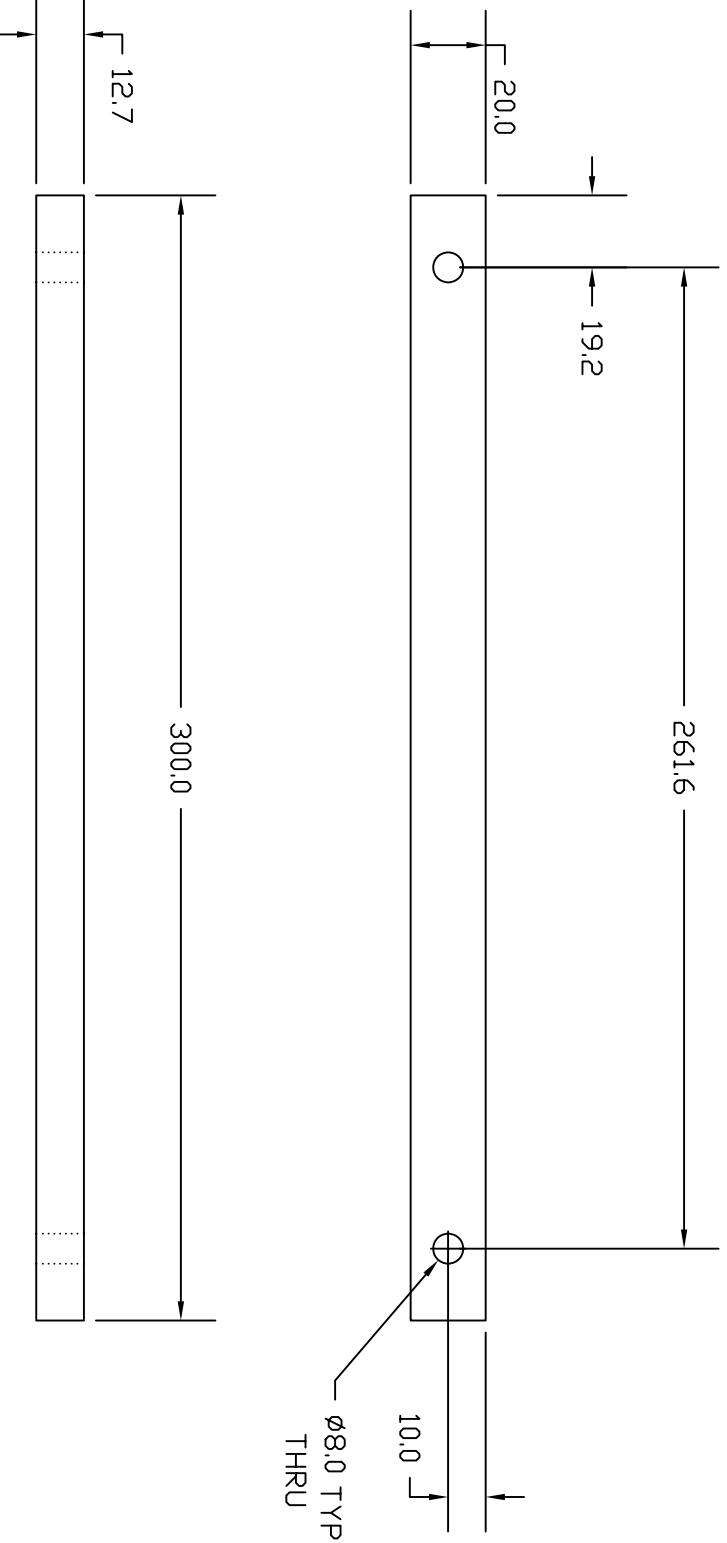
MAT: Grey PVC Type I QTY: 8

Drawn By: D. Merritt	Sheet No: 4 of 4	Date Modified: 20090316	Revision: B
-------------------------	---------------------	----------------------------	----------------

- NOTES:
1. 8.0 Hole Can Be Drilled With $\frac{1}{8}$ Inch Bit
 2. Base material is 0.5 inch (12.7mm) thick pvc

MILIMETERS

Unless Noted: Tolerance
 X.X +/- 1.0



NOAA Fisheries - PIFSC
 2570 Dole St., Honolulu, HI 96822
 phone: 808-983-5360

COML ARMS

Title: Long Cross Spacer

MAT: Grey PVC Type I	QTY: 4	
Drawn By: D. Merritt	Sheet No: 3 of 4	Date Modified: 20090316
		Revision: B

- NOTES:
1. 8.0 Holes Can Be Drilled With $\frac{5}{16}$ Inch Bit
 2. Base material is 0.5 inch (12.7mm) thick pvc

MILLIMETERS

Unless Noted: Tolerance
 X.X +/- 1.0